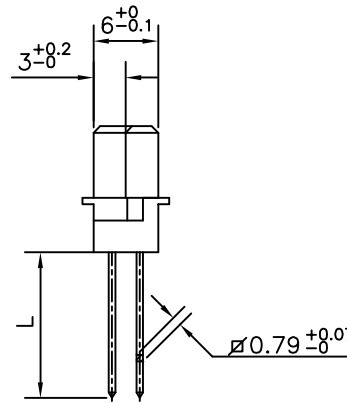


45	9.75 <sup>+0.5</sup> / <sub>-0</sub>
35	7.06 <sup>+0.7</sup> / <sub>-0</sub>
15	13.1 <sup>+0.5</sup> / <sub>-0.2</sub>
TERM. STYLE	L



TECHNICAL SPECIFICATION

HOUSING MATERIAL : THERMOPLASTIC POLYESTER UL94V-0, GREY  
HOUSING CAN WITHSTAND EXPOSURE TO LEAD FREE WAVE SOLDERING TEMPERATURE OF 260-265°C FOR STRAIGHT CONNECTORS AS IT IS IN CLASSICAL LEAD WAVE SOLDERING AT 235-250°C

CONTACT MATERIAL : COPPER ALLOY  
CONTACT ACTIVE ZONE PLATING : GOLD OVER NICKEL  
CONTACT TERMINATION ZONE :  
TIN LEAD VERSION : TIN LEAD OVER NICKEL  
LEAD FREE VERSION : TIN (PURE MATTE) OVER NI

ELECTRICAL DATA

CURRENT RATING AT 20°C : 1.5 A  
CURRENT (I MAX) : 2 A  
TEMPERATURE RANGE : -55°C/+125°C  
CONTACT RESISTANCE : ≤ 20mΩ  
INSULATION RESISTANCE : ≥ 10<sup>8</sup> MΩ  
TEST VOLTAGE (rms) : 1000V

MECHANICAL DATA

INSERTION FORCE PER CONTACT : ≤ 0.94N  
EXTRACTION FORCE PER CONTACT : ≥ 0.15N

REFERENCE SPECIFICATIONS : DIN 41612 / IEC 603-2

SERIES	8609	2	64	6	1	15	7	5	5	000E1
ROWS FITTED WITH CONTACTS										
Rows a b -	2		64							
Rows a - -	1		32							
NUMBER OF CONTACTS										
TYPE OF INSULATOR										
2 ROW FEMALE INSULATOR	6									
METHOD OF MOUNTING										
STANDARD MOUNTING - STYLE B	1									
TERMINATION										
WIRE WRAP (L- SEE TABLE)	45									
WIRE WRAP (L- SEE TABLE)	35									
WIRE WRAP (L- SEE TABLE)	15									
OPTIONS										
NO OPTION	7									
PERFORMANCE CLASS										
DIN 41612 CLASS 3	4									
DIN 41612 CLASS 2	5									
DIN 41612 CLASS 1	6									
AS PER MIL C 55302/ JSS 50808	8									
PITCH PER ROW										
2.54	5									
000E1	TIN LEAD VERSION									
E1LF	LEAD FREE VERSION									

NOTES:-  
1. THE "LF" PRODUCTS MEET EUROPEAN UNION DIRECTIVES AND OTHER COUNTRY REGULATIONS AS DESCRIBED IN GS-22-008  
2. THE HOUSING WILL WITHSTAND EXPOSURE TO 260°C PEAK TEMPERATURE FOR 3.5 SECONDS IN A WAVE SOLDER APPLICATION WITH A 1.6 MM MINIMUM THICK CIRCUIT BOARD  
3. LEAD FREE OR RoHS DIRECTIVE LABELING TO BE PROVIDED AS PER GS-14-920 FOR LEAD FREE VERSION.

mat'l. code		surface		tolerance		projection		product family			
-		ISO 1302		ISO 406 ISO 1101				8609			
litr		ecn no		dr		date		title			
A		I04-0100		MINI		09/11/2004		DIN STANDARD RECEPTACLE			
B		I05-0089		MINI		19/05/2005		WIRE WRAP DIN 41612 STYLE-B			
C		I06-0062		MINI		01/06/2006		scale -			
				dr		MINI K VANDANATH 22/09/2004		dwg no			
				engr		RAKHEE GEORGE 22/09/2004		sheet 1 of 1 size			
				chr		RAKHEE GEORGE 01/06/2006		C-8609-2021 A3			
				appd		RAKHEE GEORGE 01/06/2006		type Product Customer Drawing			
sheet index		revision		C							
		sheet		1							